

# MILA 7 INVERT C1

A labour of love, Mila was realized through the marriage of hand-blown artisan glass balanced with the soft geometry of its delicately bent form. Simple and elegant, the glow of Mila's pearl-like spheres hang in beautiful harmony within nests of precious metal. A timeless and elegant piece, Mila is ideal in both commercial and domestic settings, defined by McCormick's signature graphic language.

## FINISH

Brushed Brass, White Canopy  
 Brushed Brass, Black Canopy  
 Brushed Brass, Brass Canopy  
 Silk Black, White Canopy  
 Silk Black, Black Canopy  
 Silk Black, Brass Canopy  
 Brushed Copper, White Canopy  
 Brushed Copper, Black Canopy

## SKU

ML07.NV1BRB.1  
 ML07.NV1BRB.2  
 ML07.NV1BRB.3  
 ML07.NV1BKP.1  
 ML07.NV1BKP.2  
 ML07.NV1BKP.3  
 ML07.NV1CPB.1  
 ML07.NV1CPB.2

## MATERIALS

Brass plated steel  
 Glass

## LAMPING

COB LED 350-700mA (Replaceable)  
 3W  
 320 lumens  
 2700K  
 CRI > 90  
 0-10V, 1-10V, PUSH, PWM  
 50,000 lifetime hours

## VOLTAGE

110V - 127 V, 220V - 240 V (AC)

## WEIGHT

7 lbs, 3.2 kg

## CANOPY

7.1" (180mm) diameter  
 1.1" (27mm) depth  
 Brushed brass, silk black, white  
 RAL9003  
 Round

## CABLE MEASURE

10 ft (3 m) standard adjustable  
 22GA x 2 cable with kevlar grounding  
 cable

## CERTIFICATION

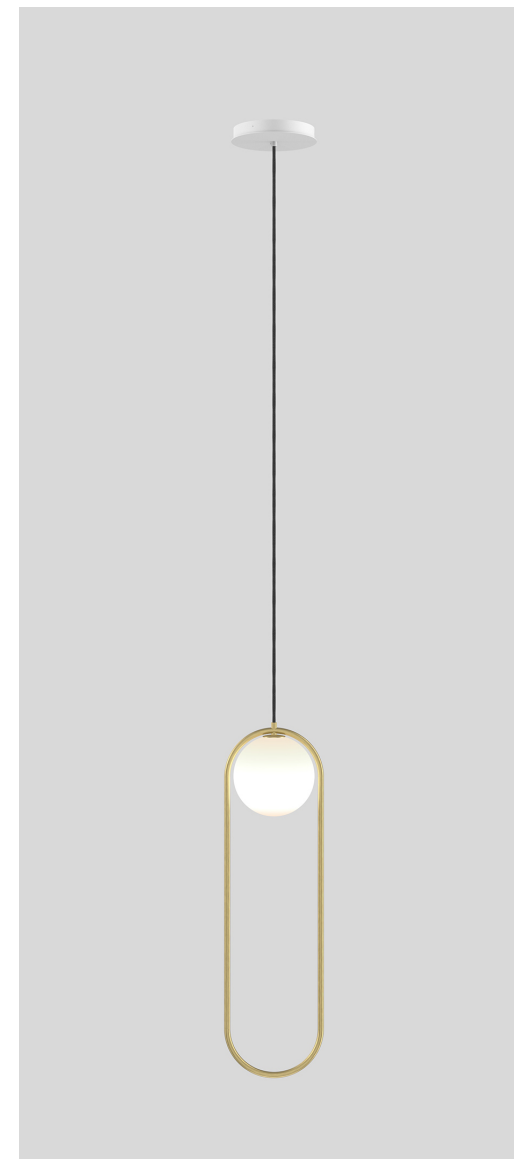
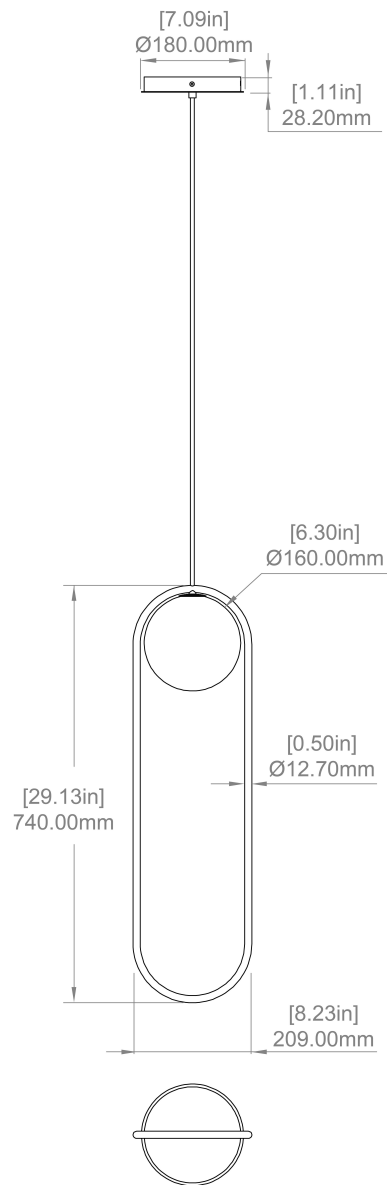


## CUSTOM OPTIONS

Extended cable length (10m) upon  
 request  
 Design configuration support  
 available

*Please inquire for pricing and lead time.*

## STANDARD FINISHES



*Image shown: Mila 7 C1 invert, brushed brass finish with white canopy.*